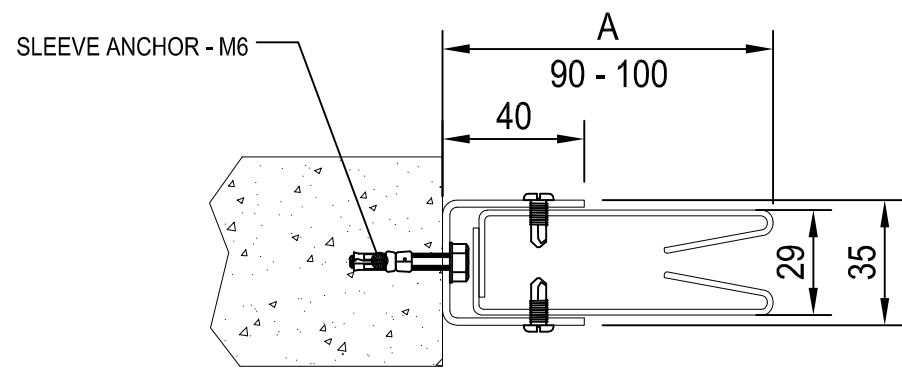
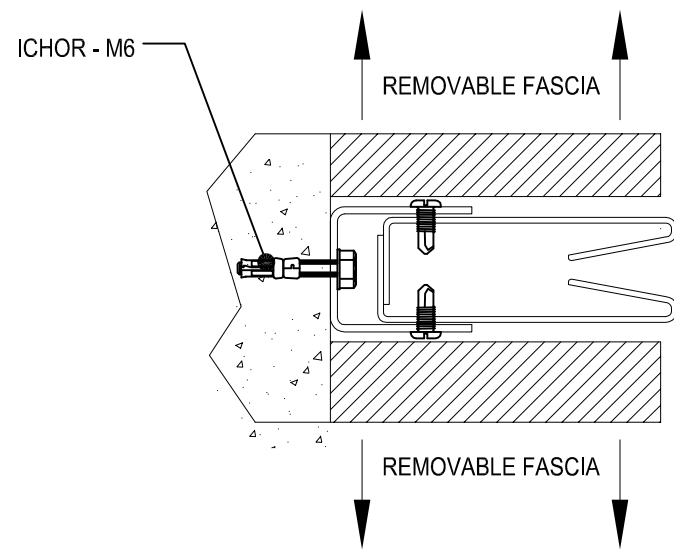


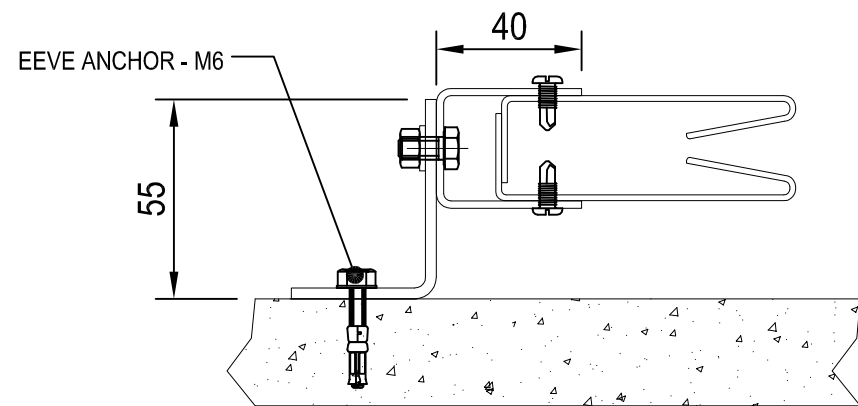
SIDE GUIDE FIXING DETAILS



STANDARD INSTALLATION

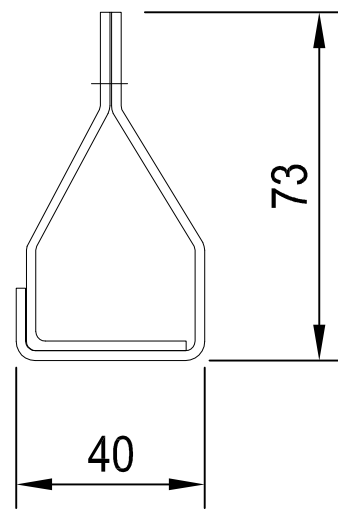


STANDARD INSTALLATION

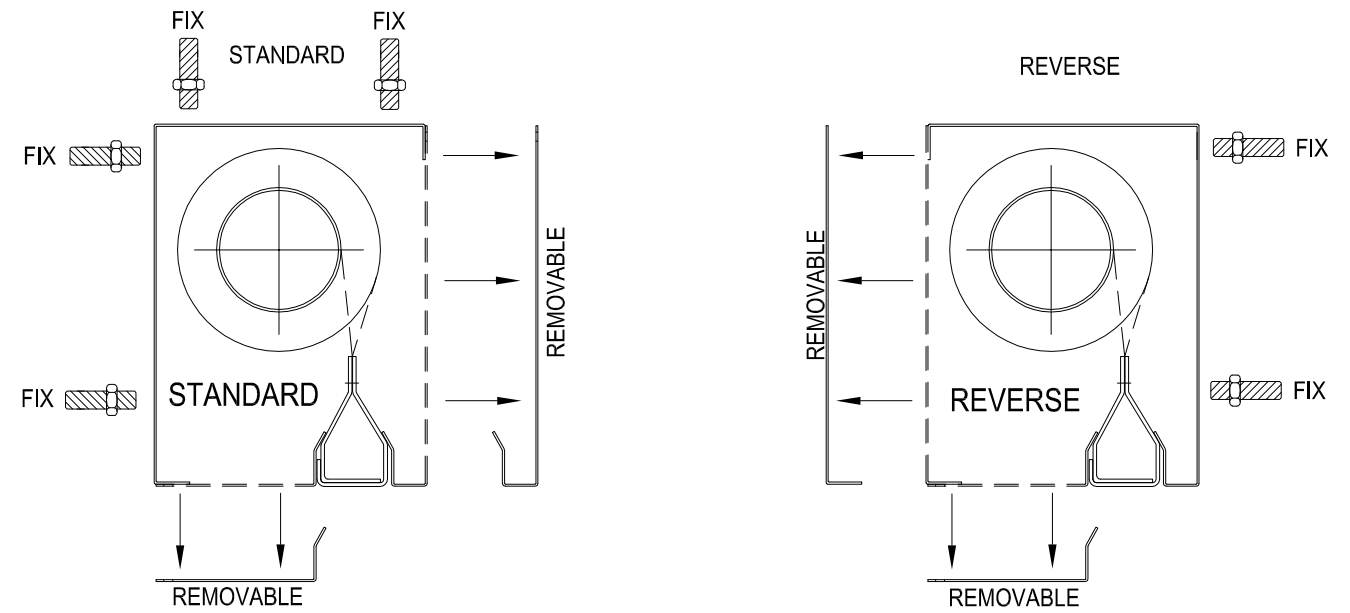


REVERSE INSTALLATION

BOTTOM BAR DETAIL

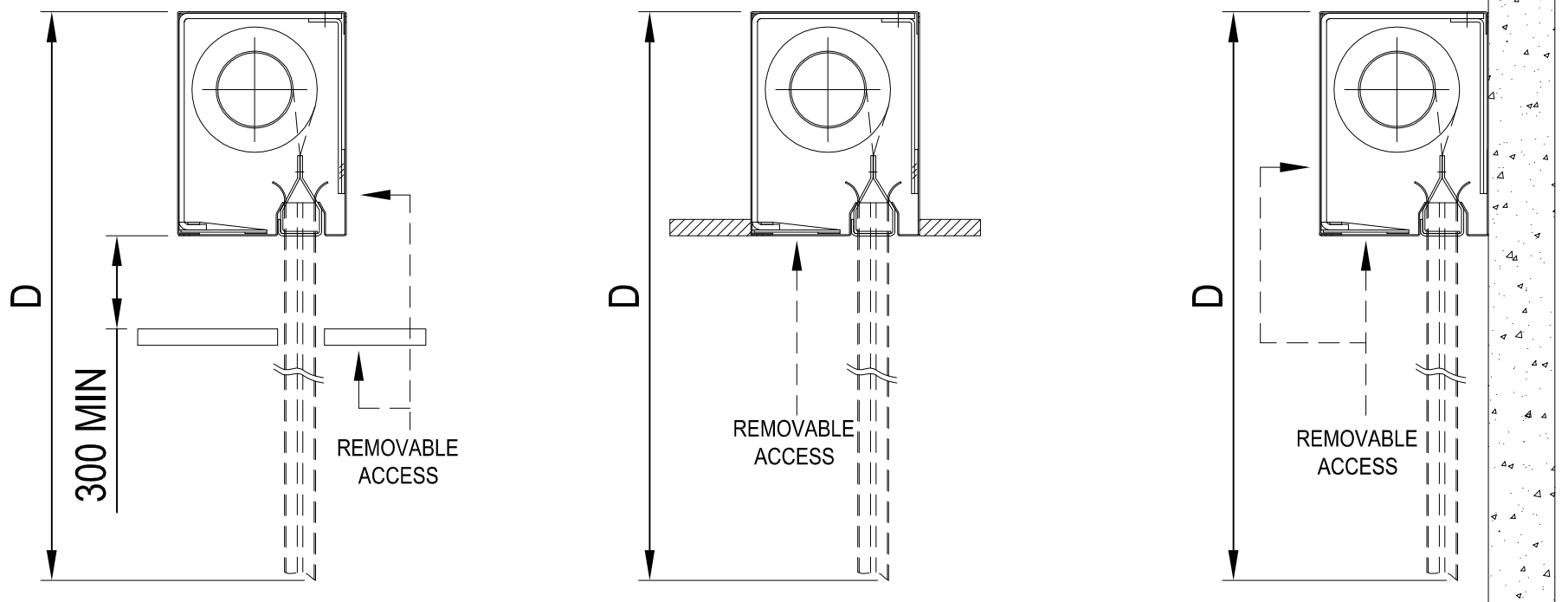


FIXING DETAIL



REFER TO DRAWING 606/114 FOR MORE INFO

TYPICAL ACCESS REQUIREMENTS



Coopers
Fire & Smoke

Tel: +44 (0) 23 9245 4405
Fax: +44 (0) 23 9249 2732

Edward House, Penner Road,
Havant, Hants. PO9 1QZ. UK
E-mail: info@coopers-uk.com
Web Site: www.coopers-uk.co.uk

Coopers Fire Limited
Koolshade (UK) Limited
FireMaster Limited
are Cooper Group Companies

DRAWN:
J. REED

CHECKED:
R.K.

APPROVED:
C.J.L.

TITLE:
FIREMASTER PRODUCT INFORMATION

© COOPER GROUP LIMITED 1997
ALL RIGHTS RESERVED. THIS DESIGN MAY NOT BE
REPRODUCED IN ANY MATERIAL FORM, INCLUDING
ELECTRONICALLY WITHOUT THE WRITTEN PERMISSION OF
THE COPYRIGHT NAMES

DRG. No.
600/118/MK

ALL DIMENSIONS IN MILLIMETERS
UNLESS OTHERWISE STATED

ISSUE: A
DATE: 03-04-08