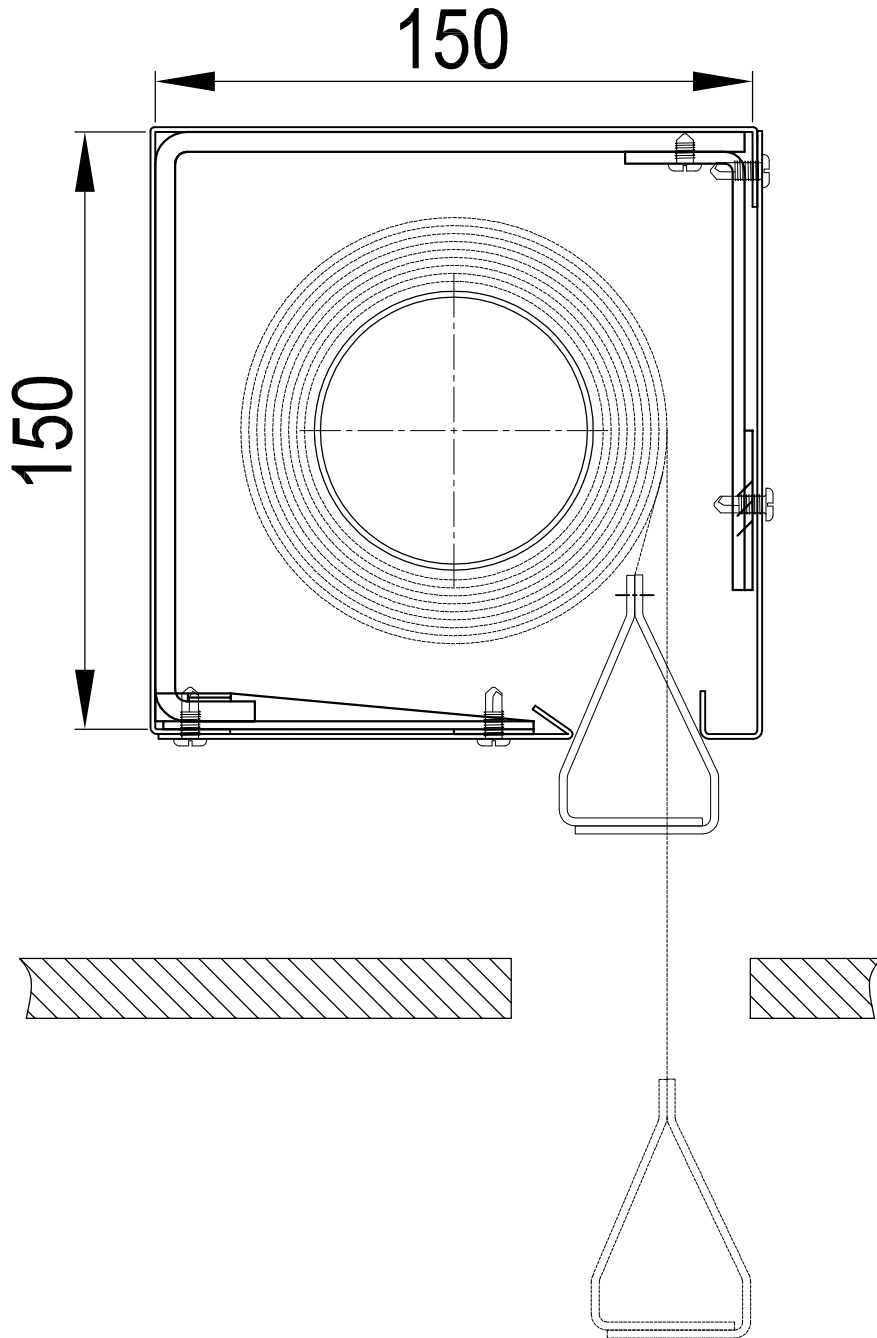


SS 15/15



Maximum width - 5 metres
Maximum drop - 5 metres

Coopers
Fire & Smoke

Edward House, Penner Road,
Havant, Hants. PO9 1QZ. UK

E-mail : info@coopers-uk.com
Web Site: www.coopers-uk.co.uk

Tel : +44 (0) 23 9245 4405
Fax: +44 (0) 23 9249 2732

Coopers Fire Limited
Koolshade (UK) Limited
FireMaster Limited
are Cooper Group Companies

DRAWN:
J. REED

CHECKED:
R.K.

APPROVED:
C.J.L.

TITLE: SMOKESTOP STANDARD CURTAIN
HEAD BOX CONFIGURATION
150mm x 150mm

© COOPER GROUP LIMITED 1997
ALL RIGHTS RESERVED. THIS DESIGN MAY NOT BE
REPRODUCED IN ANY MATERIAL FORM, INCLUDING
ELECTRONICALLY WITHOUT THE WRITTEN PERMISSION OF
THE COPYRIGHT NAMES

DRG. No.
606/255/MK

ALL DIMENSIONS IN MILLIMETERS
UNLESS OTHERWISE STATED

ISSUE: C
DATE: 29-10-7