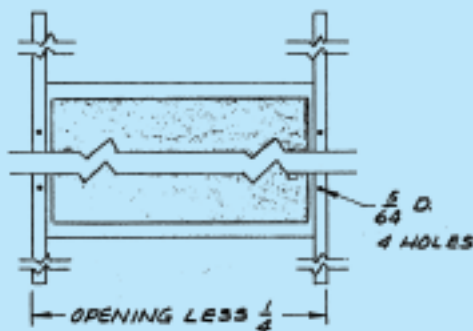


## Double hung installation



### SHOP ASSEMBLY:

1. ESTABLISH SPRING CONFIGURATION - SEE VERTICAL SLIDER INSTALLATION.
2. CENTER SCREENS VERTICALLY IN TRACKS.
3. BAR CLAMP SCREENS & TRACK TO COMPRESS SPRINGS.
4. DRILL FOUR  $\frac{5}{64}$  D. HOLES THRU FRAME & TRACK FLANGES.
5. INSTALL 4d NAILS IN HOLES - REMOVE CLAMPS.

### INSTALLATION (FROM INSIDE):

1. POSITION BOTH WINDOWS APPROX. 12" FROM TOP.
2. INSERT SCREEN ASSEMBLY THRU WINDOW LOWER OPENING. TILT UPWARD AND PROPERLY POSITION.
3. ATTACH TOP OF EACH TRACK TO WINDOW JAMB WITH ONE FLAT HEAD SCREW.
4. CHECK FOR PROPER POSITION AND REMOVE NAILS - SCREENS AND TRACK WILL SPRING INTO PLACE.
5. COMPLETE ATTACHMENT OF TRACKS USING FLAT HEAD SCREWS.
6. INSTALL ONE ROUND HEAD SCREW IN EACH TRACK BELOW TOP SPRING OF TOP SCREEN TO PREVENT IT FROM SLIDING DOWN AFTER INSTALLATION.

